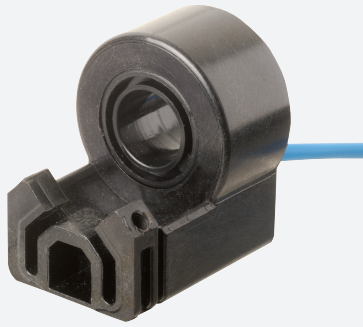


Inductive ring sensor

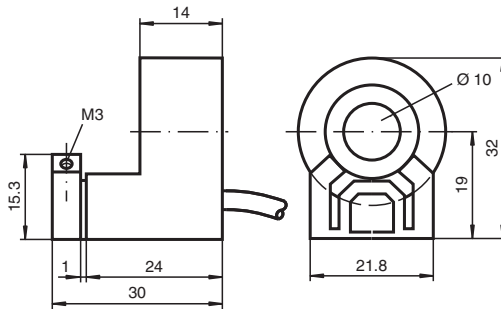
RC10-14-N3-Y115614



- 10 mm inside diameter
- Comfort series
- Bistable
- Direction detection



Dimensions



Technical Data

General specifications

Switching function	Normally closed (NC)
Output type	NAMUR, bistable
Inside diameter	10 mm
Measuring cylinder	
Diameter	1/8" (3.175mm)
Measuring cone	Carboloy
Output type	2-wire

Nominal ratings

Nominal voltage	U_o	8.2 V (R_i approx. 1 k Ω)
Operating voltage	U_B	5 ... 25 V
Hysteresis	H	typ. 1 %
Reverse polarity protection		reverse polarity protected
Current consumption		
Traverse B		3 mA
Passage B $U_B=8V$		≥ 3 mA
Passage B $U_B=10V$		≥ 4.2 mA
Traverse A		1 mA
Passage A $U_B=10V$		0.5 ... 1 mA typ. 0.9 mA
Passage A $U_B=8V$		0.5 ... 0.95 mA typ. 0.8 mA
Time delay before availability	t_v	≤ 5 ms

Functional safety related parameters

Release date: 2023-01-27 Date of issue: 2023-01-27 Filename: 115614_eng.pdf

Refer to "General Notes Relating to Pepperl+Fuchs Product Information".

Pepperl+Fuchs Group
www.pepperl-fuchs.com

USA: +1 330 486 0001
fa-info@us.pepperl-fuchs.com

Germany: +49 621 776 1111
fa-info@de.pepperl-fuchs.com

Singapore: +65 6779 9091
fa-info@sg.pepperl-fuchs.com

PF PEPPERL+FUCHS

Technical Data

MTTF _d	2140 a
Mission Time (T _M)	20 a
Diagnostic Coverage (DC)	0 %
Compliance with standards and directives	
Standard conformity	
NAMUR	EN 60947-5-6:2000 IEC 60947-5-6:1999
Standards	EN 60947-5-2:2007 EN 60947-5-2/A1:2012 IEC 60947-5-2:2007 IEC 60947-5-2 AMD 1:2012
Approvals and certificates	
ATEX approval	
Equipment protection level Gb	PTB 99 ATEX 2128 X
UL approval	cULus Listed, General Purpose
CSA approval	cCSAus Listed, General Purpose
Ambient conditions	
Ambient temperature	0 ... 40 °C (32 ... 104 °F)
Mechanical specifications	
Connection type	cablc PVC , 5 m
Core cross section	0.14 mm ²
Housing material	PBT
Degree of protection	IP67
General information	
Use in the hazardous area	see instruction manuals

Connection

